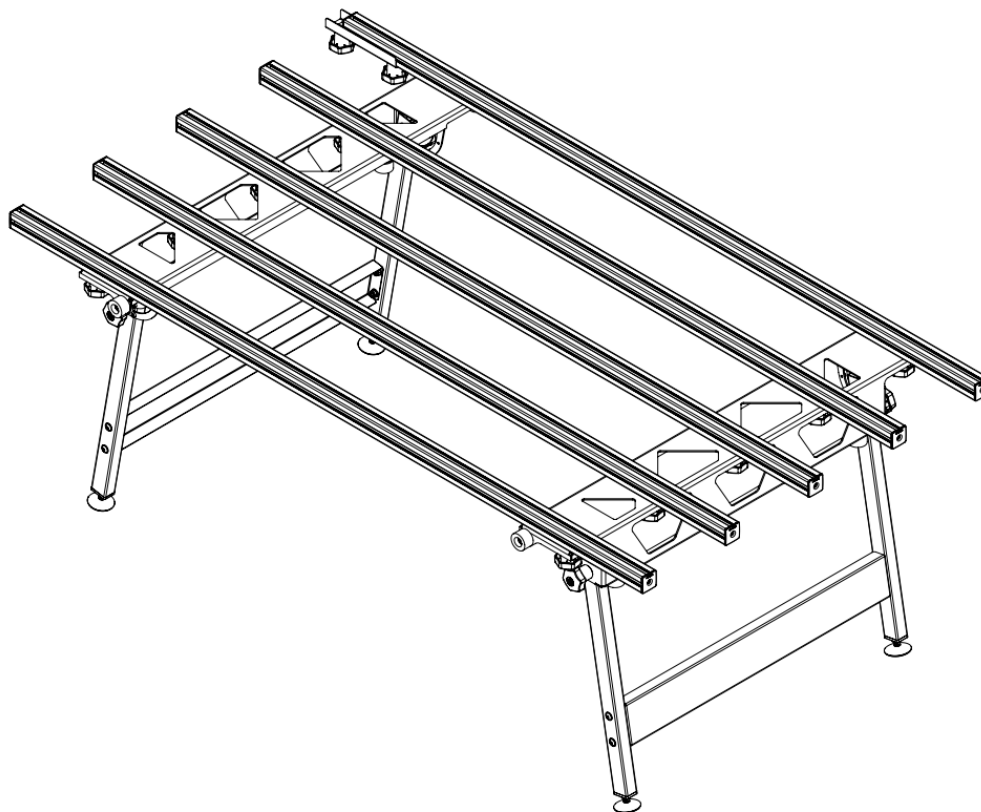


MESA SLAB

1000038505 00 21/08/2019

Página 1 de 2

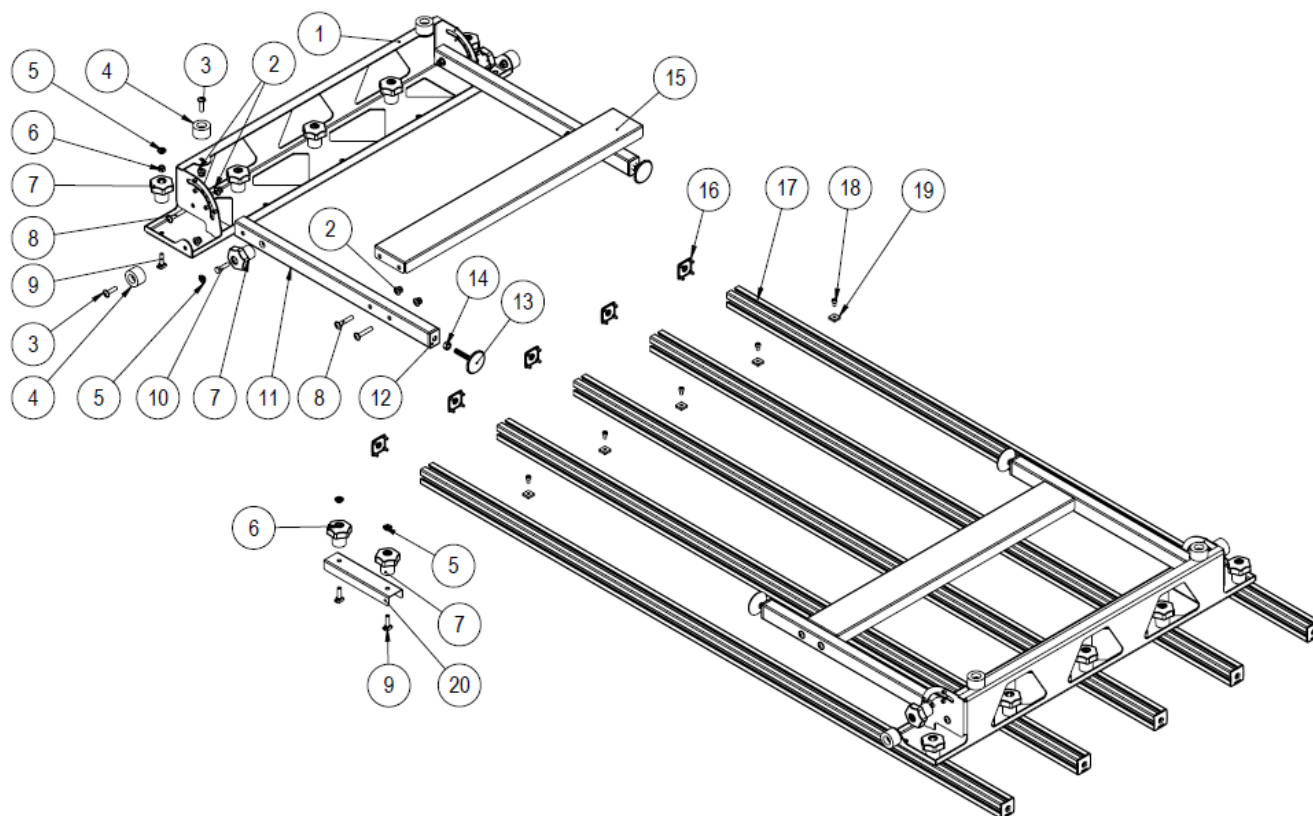


Part-list	ES	EN	Prod.
1	A	MESA SLAB	SLAB TABLE

Prod.	ES	EN	From serial num.
18935	MESA SLAB	SLAB TABLE	-

Queda reservado el derecho de introducir cualquier modificacion técnica sin previo aviso

We reserve the right to introduce any technical modification without previous notice



Part-list	ES	EN	Prod.	
1	16367	2	PLATAFORMA MESA SLIM CUTTER	TABLE PLATFORM SLIM CUTTER
2	19690	20	TUERCA DIN 6926 M8 CL8 ZN	NUT DIN 6926 M8 CL8 6 ZP
3	16157	8	TORN ISO 7380 ARAND. M8X30 8.8 ZN	SCREW ISO 7380 WASHER M8X30 8.8 ZP
4	16186	8	TOPE REDONDO AKCAJ Ø38/8/20 X 24	ROUND TOP AKCAJ Ø38/8/20 X 24
5	17332	16	TAPON POMO M8 ROJO	RED KNOB CAP M8
6	18789	12	TUERCA DIN 982 M8 ZN 8.8	NUT DIN 982 M8 ZP 8.8
7	54785	16	POMO M8 ROJO LARGO	LONG RED KNOB M8
8	51410	12	TORN ISO 7380 ARAND. M8X45 10.9 ZN	SCREW ISO 7380 WASHER M8X45 10.9 ZP
9	16193	12	TORN MARTILLO M8X30 CANAL 10	SCREW HAMMER M8X30 SLOT 10
10	57039	4	TORN DIN 933 M8X30 6.8	SCREW DIN 933 M8X30 6.8 ZP
11	16369	4	PATA RECTA 40X30X600	STRAIGHT LEG 40X30X600
12	16134	4	CONTERA ROSCADA 40X30 M10	THREADED INSERT 40X30 M10
13	16137	4	PIE REGULABE ORIENTABLE M10	ADJUSTABLE FOOT M10
14	50150	4	TUERCA DIN 934 M10 CL8 ZN	HEX NUT DIN 934 M10 CL8 ZP
15	16368	2	TENSOR PATAS MESA SLIM CUTTER	TABLE LEGS TENSOR SLIM CUTTER
16	16376	10	TAPA FINAL 40X40 ROJA	RED FINAL COVER 40X40
17	16370	5	PERFIL ALU 40X40 1800	PROFILE ALU 40X40 1800
18	45043	10	TORN DIN 912 M6X10 6.8 ZN	SCREW DIN 912 M6X10 6.8 ZP
19	18442	10	TUERCA CUADRADA 18X18X5 M6	SQUARE NUT 18X18X5 M6
20	16377	1	PLATAFORMA UNION MESA SLIM CUTTER	TABLE PLATFORM UNION SLIM CUTTER